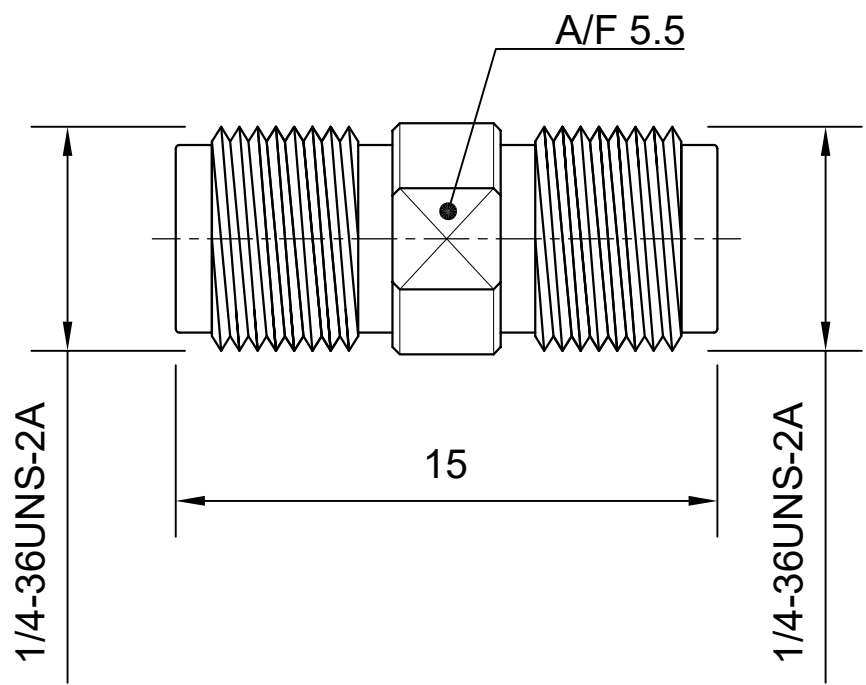


RevNo	Revision note	Date	Signature	Checked



TECHNICAL DATA	
Type	Adapter
Orientation	Straight
Impedance (Ohms)	50
Adapter Side 1	SMA
Side 1 Gender	Jack
Adapter Side 2	SMA
Side 2 Gender	Jack
Body Finish	Gold
Body Material	Brass
Contact Finish	Gold
Contact Material	Beryllium Copper
Insulator Material	PTFE
Max. Frequency (GHz)	18
Mounting Feature	--
Min. Temp. (Celsius)	-65
Max. Temp. (Celsius)	165
Weight (Grams)	1.8

	SHEET	1 of 1	SCALE	NTS
	RF ADAPTER			
	SMA Female to SMA Female			
	STRAIGHT TYPE			
	DWG NO VSW-AD-961231-S			
DRAWN	VINAY	22.10.2018		
CHECK				
APPR.	VINAY	22.10.2018		
ISSUED				
REV	R0			

FILE PATH: D:\VINSUR\DRAWINGS -- VINSUR\ADAPTERS\SMA - SMA
 FILE NAME: ADAPTER - SMA Female to SMA Female - VSW-AD-961231-S.dwg

SIZE